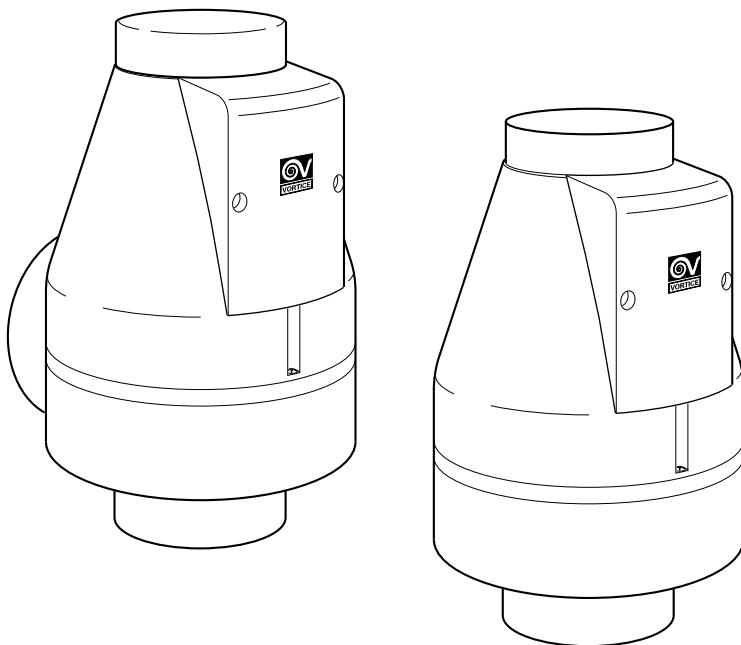


Libretto d'istruzioni
Instruction booklet
Notice de pose et d'entretien
Betriebsanleitung
Folleto de instrucciones
Gebruiksaanwijzing
Instruktionshäfte
کتاب التعليمات



AXIAL K - ANGOL K



MADE IN ITALY COD. 5.371.084.611

21/07/2009

VORTICE LIMITED
Milley Lane - Hare Hatch
Reading - Berkshire - RG10 9TH
Tel. (+44) 118-94.04.211
Fax (+44) 118-94.03.787
UNITED KINGDOM

VORTICE FRANCE
72 Rue Baratte-Cholet
94106 Saint Maur Cedex
Tel. (+33) 1-55.12.50.00
Fax (+33) 1-55.12.50.01
FRANCE

VORTICE ELETTROSOCIALI S.p.A.
Strada Cerca, 2 - frazione di Zoate
20067 TRIBIANO (MI)
Tel. (+39) 02-90.69.91
Fax (+39) 02-90.64.625
ITALIA

Prima di installare e collegare il prodotto, leggere attentamente queste istruzioni. Vortice non può essere considerata responsabile per eventuali danni a persone o cose causate dalla non applicazione di quanto contenuto nel libretto.

Seguire tutte le istruzioni per assicurare la sua durata, la sua affidabilità elettrica e meccanica.

Conservare sempre questo libretto d'istruzioni.

Before installing and connecting the unit, carefully read these instructions. Vortice cannot assume any responsibility for damage to property or personal harm resulting from failure to abide by the conditions given in this booklet.

Following these instructions will assure long service life and overall electrical and mechanical reliability.

Keep this instruction booklet in safe place.

Avant d'utiliser le produit et de le connecter, lire attentivement ces instructions. Vortice ne pourra être tenu pour responsable des dommages éventuels causés aux personnes ou aux choses par suite du non respect de ce qui est présenté dans le présent livret.

Le respect de toutes les indications reportées dans ce livret garantira une longue durée de vie ainsi que la fiabilité électrique et mécanique de cet appareil.

Conserver toujours à portée de main le présent livret d'instructions

Bevor das Gerät montiert und angeschlossen wird, diese Anleitung genau durchlesen. Vortice kann nicht für Personen- oder Sachschäden zur Verantwortung gezogen werden, die auf eine Nichtbeachtung der Hinweise in dieser Betriebsanleitung zurückzuführen sind.

Befolgen Sie alle Anweisungen, um eine lange Lebensdauer, sowie die elektrische und mechanische Zuverlässigkeit des Geräts zu gewährleisten.

Diese Betriebsanleitung ist gut aufzubewahren.

Indice

Descrizione	4
Attenzione	5
Avvertenza	5
Installazione	13
Pulizia	15
Informazione importante per lo smaltimento ambientalmente compatibile	16

Index

Description	4
Caution	6
Precaution	6
Installation	13
Cleaning	15
Important information on eco-compatible disposal	16

Sommaire

Description	4
Attention	7
Notice	7
Installation	13
Nettoyage	15
Information importante pour l'élimination compatible avec l'environnement	16

Inhalt

Beschreibung	4
Achtung	8
Hinweis	8
Installation	13
Reinigung	15
Wichtige Information für eine umweltgerechte Entsorgung	16

DESCRIZIONE

Il prodotto da lei acquistato è un aspiratore centrifugo assiale ed angolare da sottocappa contro soffitto/false pareti per espulsione in condotto di ventilazione.

Description

The product you have purchased is an axial centrifugal and corner exhaust unit suited to be installed below hoods, on false ceilings and walls with ventilation duct discharge.

Description

L'appareil dont vous venez de faire l'achat est un aspirateur centrifuge axial et angulaire, destiné à être installé sous hotte, sous faux plafonds ou sur paroi, pour assurer l'évacuation dans une conduite de ventilation.

Beschreibung

Das von Ihnen gekaufte Gerät ist ein axialer, winkelförmiger Zentrifugalentlüfter auf Abzugshaube, Hängedecke/Blindwände für den Luftauslaß im Ventilationskanal.

Descripción

El producto comprado por Ud. es un extractor centrifugo axial y angular, bajo campana, contra cielorraso / falsas paredes para expulsión en conducto de ventilación

Beschrijving

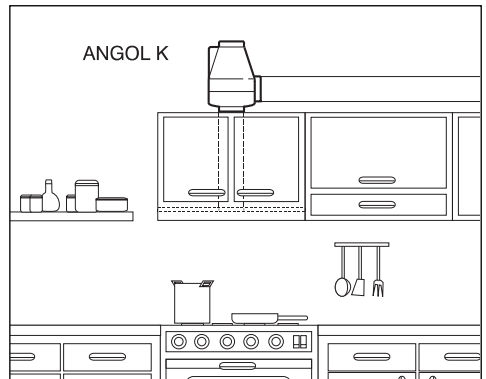
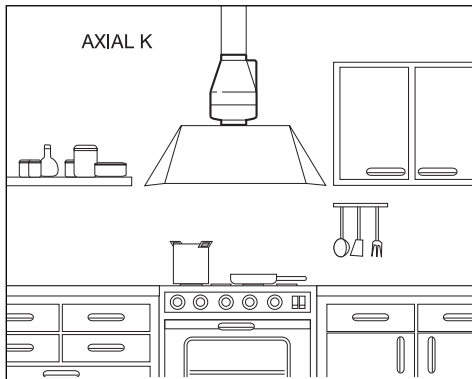
Het door u aangeschafte product is een axiale centrifugale hoekaspirator, die onder een kap geplaatst moet worden tegen een vals plafond/valse muur, voor luchtafvoer in een ventilatiekanaal.

Beskrivning

Apparaten du köpt är en vinkel axial centrifugal frånluftsfläkt för under frånluftshuven mot taket/mellanväggar för uttömning i ventilationskanal.

وصف الجهاز

المنتج الذي قمت بشرائه هو عبارة عن جهاز إمصاص محوري وزاوي للإستعمال تحت المداخن، وفي الأسقف المستعارة وفي الجدران وذلك لطرد الهواء إلى الخارج عبر مجاري التهوية.





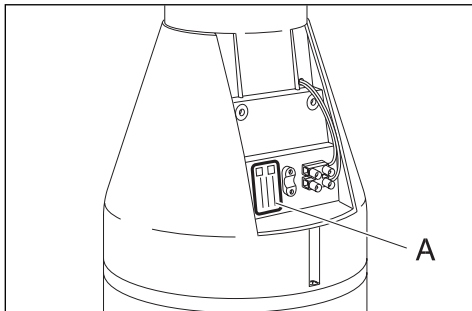
Caution: this symbol indicates that care must be taken to avoid injury

- Do not use this product for functions other than those described in the instruction booklet.
- After having removed the product from its packing, ensure that it is complete and undamaged: if in doubt contact Vortice Service Centre. Do not leave packaging in the reach of children.
- Do not sit or place objects on the appliance.
- The use of any electrical appliance requires that certain fundamentals rules are observed:
 - do not touch it with wet or damp hands;
 - do not touch it wet barefoot;
- - it must be used by unattended children.
- Do not operate the appliance in the presence of inflammable vapours (alcohol, insecticides, petrol, etc.).
- If the appliance is to be removed, turn the switch to off and then disconnect the unit from the mains. Do not leave the appliance in reach of children.
- The appliance is not intended for use by young children or infirm persons without supervision.
- Young children should be supervised to ensure that they do not play with the appliance.



Precaution: this symbol indicates that care must be taken to avoid damaging your product

- Do not make any modifications of any kind to your product.
 - The appliance must not be exposed to atmospheric conditions (rain, sun, etc.).
 - The appliance must be installed by a professionally qualified person.
 - Perform periodic inspection on the unit to see that it is free of visual defects. If any are found, do not operate the unit and immediately contact Vortice Service Centre.
 - The electrical mains to which the unit is connected must conform to current standard.
 - Since the appliance is double insulated, it does not need to be earthed.
 - The electrical power source to which the product is to be connected must be able to provide the maximum amount of electrical power required by the product. If it cannot do this, contact an electrician for appropriate remedial action.
 - When installing the appliance, a multipolar switch must be used. The switch interpole distance must be no less than 3 mm.
 - Effective appliance operation requires adequate room-air replenishment. Moreover, if there is also a water heater, gas stove, etc. drawing its air for combustion from the same room, room-air replenishment must be increased to allow all appliances to work effectively.
 - Should the appliance be dropped or suffer a heavy blow, have it checked immediately by a qualified engineer.
 - Should the appliance fail to operate or not operate correctly, turn the switch to off. Contact Vortice immediately and, if repairs are required, make sure that original Vortice parts are used.
 - Do not leave the appliance on unnecessarily: when the appliance is not in use, turn the switch to off.
- Caution!**
- In order to provide exhaust above the kitchen stove burners the hood must be installed in accordance with the existing laws and by someone who is properly qualified to do so. Furthermore the installation must comply with regulations regarding hoods designed for installation in kitchens or in other rooms where gas units, such as stoves and water-heaters, are located. Most importantly, the room in which the hood is installed must have an adequate air-inlet opening. If one does not exist, an opening must be made and have the dimensions indicated in the aforementioned specifications.
 - This appliance must be installed to discharge into a single duct directly to the outside.
 - Before installing the unit, try the draft of the exhalation duct.



The power-source data must be consistent with the electrical data shown on the name plate A.

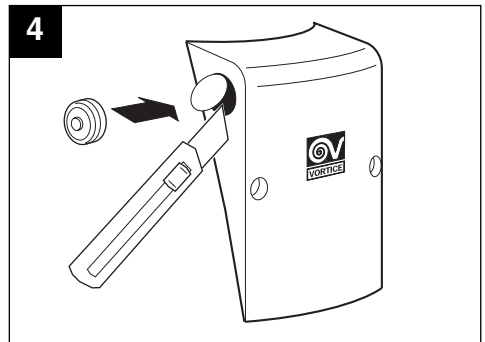
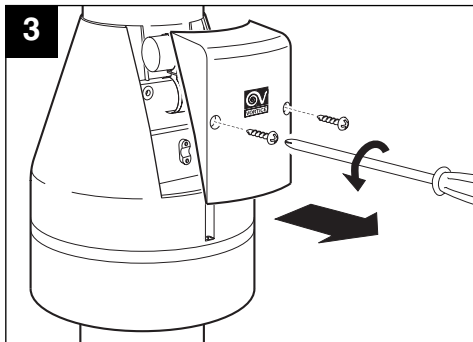
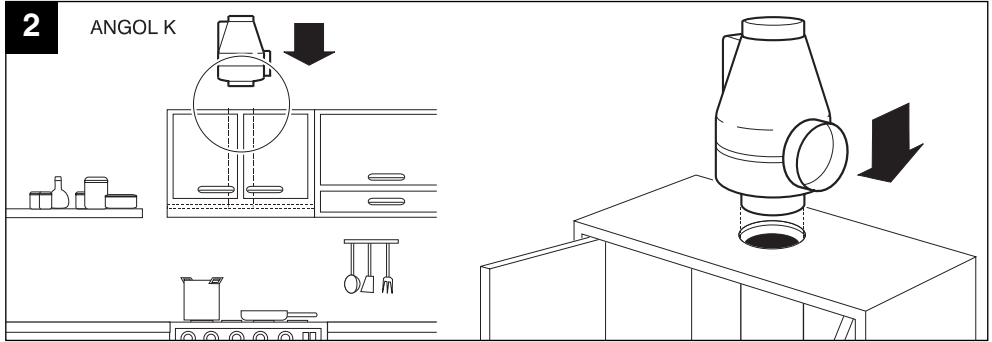
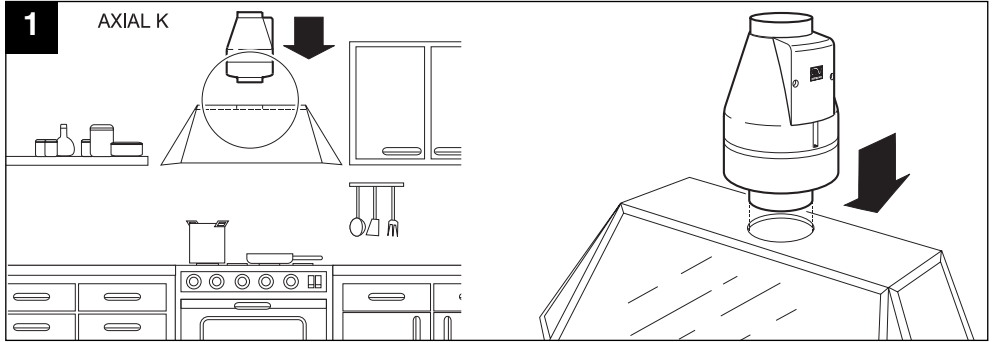
Instructions for providing exhaust above kitchen stove burners

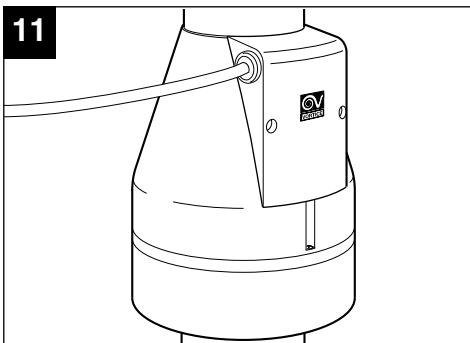
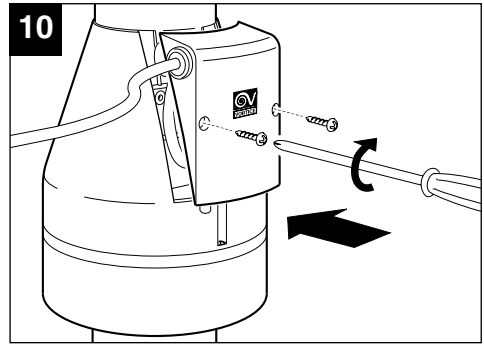
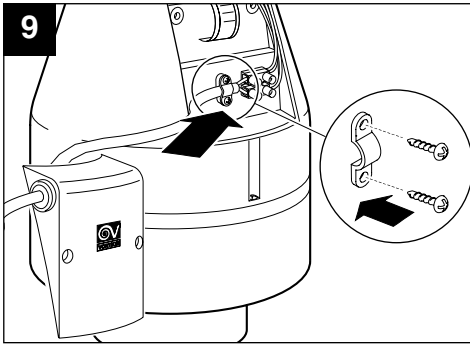
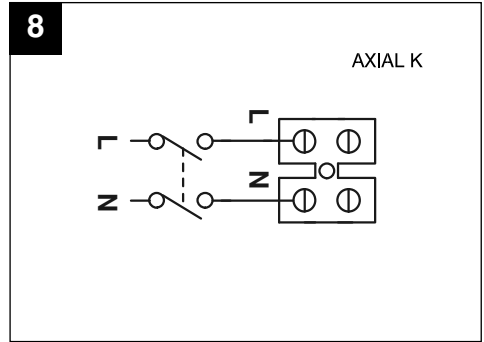
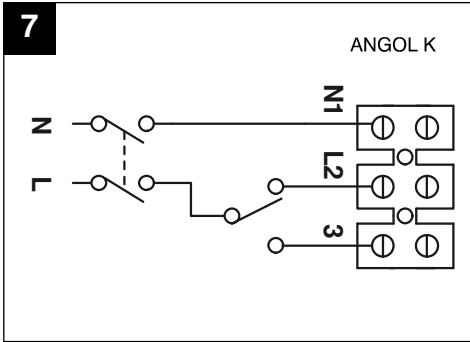
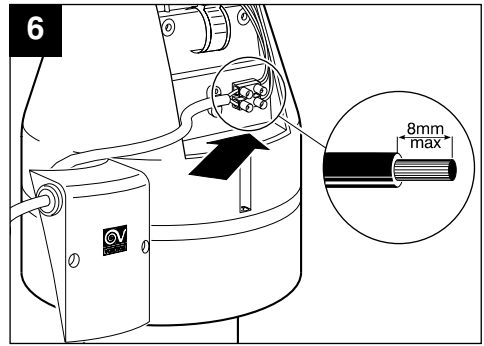
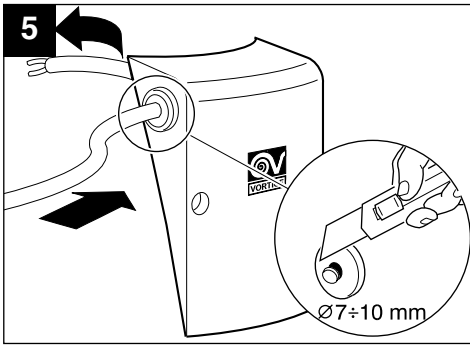
- 1) The ventilator must be turned on when cooking starts.
- 2) Leave the kitchen door open and close the window. This will ensure a single flow from other rooms to the kitchen.
- 3) In order to eliminate residual odours and steam after cooking, leave ventilator running for a further 10-15 minutes.

INSTALLAZIONE

INSTALLATION
INSTALLATION
INSTALLATION
INSTALACION
INSTALLATIE
INSTALLATIE

التركيب

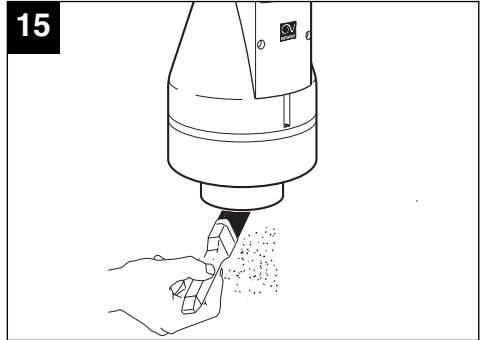
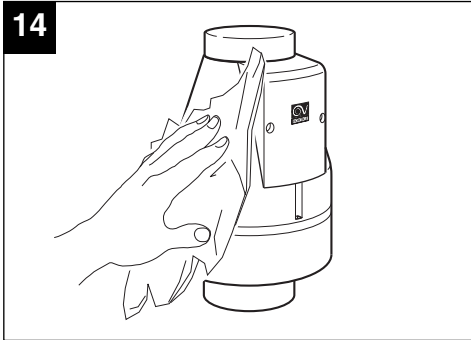
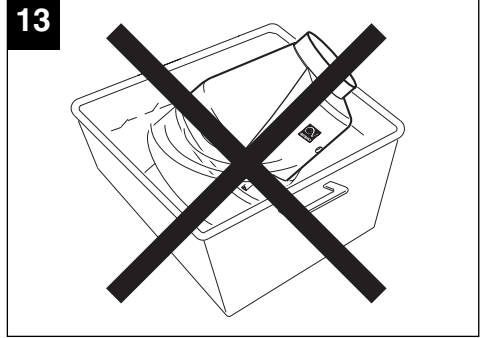
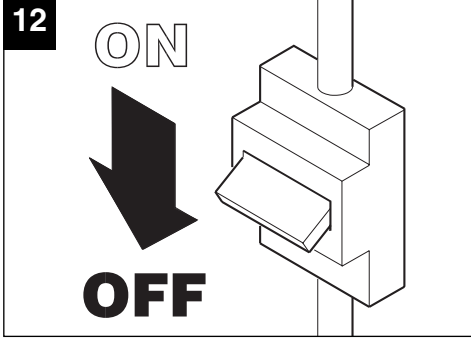




PULIZIA

CLEANING
NETTOYAGE
REINIGUNG
LIMPIEZA
REINIGING
RENGÖRING

التنظيف



- IT** Informazione importante per lo smaltimento ambientalmente compatibile
- EN** Important information concerning the environmentally compatible disposal of the appliance
- FR** Information importante pour l'élimination compatible avec l'environnement
- DE** Wichtige Information für den Benutzer zur umweltfreundlichen Entsorgung des Gerätes
- ES** Información importante sobre eliminación respetuosa con el medio ambiente
- NL** Belangrijke informatie over milieuvriendelijke afvalverwerking
- SV** Viktigt information för en miljömässigt förenlig kassering

IT

IN ALCUNI PAESI DELL'UNIONE EUROPEA QUESTO PRODOTTO NON RICADE NEL CAMPO DI APPLICAZIONE DELLA LEGGE NAZIONALE DI RECEPIMENTO DELLA DIRETTIVA RAEE E QUINDI NON È IN ESSI VIGENTE ALCUN OBBLIGO DI RACCOLTA DIFFERENZIATA A FINE VITA.

Attenzione

Questo prodotto è conforme alla Direttiva EU 2002/96/EC.

Il simbolo del cestino barrato riportato sull'apparecchio indica che il prodotto, alla fine della propria vita utile, dovendo essere trattato separatamente dai rifiuti domestici, deve essere conferito in un centro di raccolta differenziata per apparecchiature elettriche ed elettroniche oppure riconsegnato al rivenditore al momento dell'acquisto di una nuova apparecchiatura equivalente.

L'utente è responsabile del conferimento dell'apparecchio a fine vita alle appropriate strutture di raccolta, pena le sanzioni previste dalla vigente legislazione sui rifiuti.

L'adeguata raccolta differenziata per l'avvio successivo dell'apparecchio dismesso al riciclaggio, al trattamento e allo smaltimento ambientalmente compatibile contribuisce ad evitare possibili effetti negativi sull'ambiente e sulla salute e favorisce il riciclo dei materiali di cui è composto il prodotto.

Per informazioni più dettagliate inerenti i sistemi di raccolta disponibili, rivolgersi al servizio locale di smaltimento rifiuti, o al negozio in cui è stato effettuato l'acquisto.

I produttori e gli importatori ottemperano alla loro responsabilità per il riciclaggio, il trattamento e lo smaltimento ambientalmente compatibile sia direttamente sia partecipando ad un sistema collettivo.



EN

IN CERTAIN EUROPEAN UNION COUNTRIES THIS PRODUCT DOES NOT FALL WITHIN THE REQUIREMENTS OF THE NATIONAL LAWS IMPLEMENTING THE WEEE DIRECTIVE, AND IN THESE COUNTRIES THE PRODUCT IS NOT SUBJECT TO SEPARATE DISPOSAL OPERATIONS AT THE END OF ITS WORKING LIFE.

Important

This product conforms to EU Directive 2002/96/EC.

This appliance bears the symbol of the barred waste bin. This indicates that, at the end of its useful life, it must not be disposed of as domestic waste, but must be taken to a collection centre for waste electrical and electronic equipment, or returned to a retailer on purchase of a replacement.

It is the user's responsibility to dispose of this appliance through the appropriate channels at the end of its useful life. Failure to do so may incur the penalties established by laws governing waste disposal.

Proper differential collection, and the subsequent recycling, processing and environmentally compatible disposal of waste equipment avoids unnecessary damage to the environment and possible related health risks, and also promotes recycling of the materials used in the appliance.

For further information on waste collection and disposal, contact your local waste disposal service, or the shop from which you purchased the appliance.

Manufacturers and importers fulfil their responsibilities for recycling, processing and environmentally compatible disposal either directly or by participating in collective systems.





Warning: this symbol indicates precautions that must be taken to avoid injury

- Certain fundamental rules must be observed when using any electrical appliance, including:
 - never touch electrical appliances with wet or damp hands;
 - never touch appliances while barefoot;
 - never allow children or infirm persons to operate appliances unattended
- This appliance is not suitable for use by children or by individuals with reduced physical, sensorial or mental capacities, or by inexperienced or untrained individuals, unless they are supervised or instructed in its use by a person responsible for their safety. Children must always be supervised to ensure that they do not play with the appliance.



Attention : ce symbole indique la nécessité de prendre quelques précautions pour la sécurité de l'utilisateur

- L'utilisation de tout appareil électrique implique le respect de quelques règles fondamentales dont, entre autres :
 - ne pas toucher l'appareil avec des mains mouillées ou humides;
 - ne pas toucher l'appareil pieds nus;
 - interdire son utilisation aux enfants ou aux personnes inexpertes.
- Cet appareil n'est pas approprié à l'emploi de la part de personnes (y compris les enfants) avec des capacités physiques, sensorielles ou mentales réduites ou sans expérience ni connaissance, à moins qu'elles ne soient surveillées ou qu'elles n'aient été instruites au sujet de l'emploi de l'appareil par une personne responsable de leur sécurité. Les enfants doivent être surveillés pour s'assurer qu'ils ne jouent pas avec l'appareil.



Achtung: dieses Symbol zeigt Vorsichtsmaßnahmen zum Schutz des Benutzers an

- Beim Gebrauch von Elektrogeräten jeder Art müssen stets einige Grundregeln beachtet werden, darunter im Einzelnen:
 - die Geräte niemals mit nassen oder feuchten Händen berühren;
 - die Geräte niemals barfuß berühren;
 - die Geräte dürfen nicht durch Kinder oder unzurechnungsfähige Personen benutzt werden.
- Dieses Gerät darf von Kindern oder Personen mit eingeschränkten körperlichen oder geistigen Fähigkeiten oder mangelnder Erfahrung bzw. Kenntnis nur unter der Aufsicht oder nach gründlicher Unterweisung und Überprüfung seitens einer für ihre Sicherheit verantwortlichen Person bedient werden. Kinder sind zu überwachen, damit sie nicht mit dem Gerät spielen.



Atención: este símbolo indica precauciones para evitar daños al usuario.

- Cuando se utiliza un aparato eléctrico es necesario tener en cuenta algunas normas básicas:
 - no tocar el aparato con las manos mojadas o húmedas;
 - no tocar el aparato con los pies descalzos;
 - no permitir que los niños o las personas con discapacidad lo utilicen
- Este aparato no es apto para ser utilizado por niños ni personas con discapacidad física, sensorial o psíquica, o que carezcan de la experiencia y los conocimientos necesarios, excepto cuando lo hagan bajo la supervisión de una persona responsable de su seguridad o que les haya instruido en el manejo.



Let op: dit symbol markeert voorzorgsmaatregelen ter voorkoming van risico's voor de gebruiker

- Bij het gebruik van elektrische apparaten moeten enige basisregels in acht genomen worden en wel:
 - raak het apparaat niet aan met vochtige of natte handen;
 - raak het apparaat nooit aan als u op blote voeten loopt;
 - zorg ervoor dat het apparaat niet wordt gebruikt door kinderen of ondeskundigen.
- Dit apparaat is niet geschikt voor gebruik door personen (waaronder kinderen) met verminderde fysieke, zintuiglijke of mentale vermogens, of die geen ervaring en kennis hebben van het apparaat, tenzij ze onder toezicht staan van of geïnstrueerd zijn m.b.t. het gebruik van het apparaat door een persoon die verantwoordelijk is voor hun veiligheid. Kinderen moeten onder toezicht blijven om ervoor te zorgen dat ze niet met het apparaat spelen.



Varning: denna symbol anger försiktighetsåtgärder som ska vidtas för att undvika att användaren utsätts för skador

- Vid användning av elektriska apparater måste vissa grundläggande regler följas, bland annat:
 - Vidrör inte apparaten med våta eller fuktiga händer.
 - Använd inte apparaten om du är barfota.
 - Låt inte barn eller personer utan lämplig kompetens använda apparaten
- Denna apparat får inte användas av personer (inklusive barn) med nedsatta fysiska, sensoriska eller mentala förmågor, eller av personer utan erfarenhet och kunskap, om inte de är övervakade eller instruerade om användningen av apparaten av personers ansvariga för deras säkerhet. Barn ska övervakas för att säkerställa att de inte leker med apparaten.



La Vortice S.p.A. si riserva di apportare tutte le varianti migliorative ai prodotti in corso di vendita.
 Vortice S.p.A. reserves the right to make any improving change on products on sale.
 Vortice S.p.A. se réserve d'apporter tous changements susceptibles d'améliorer les produits en vente.
 Die Firma Vortice S.p.A. behält sich vor, alle eventuellen Verbesserungsänderungen an den Produkten des Verkaufsangebot vorzunehmen.
 Vortice S.p.A. se reserva el derecho de aportar todas las variantes que mejoren los productos en venta.
 Vortice S.p.A. behoudt zich het recht voor elke gewenste verandering aan te brengen in het reeds op de markt gebrachte product.
 Vortice S.p.A. förbehåller sig rätten att under försäljning tillföra alla ändringar som förbättrar produkterna.

تحتفظ مؤسسة Vortice S.p.A. بحق إجراء كافة التعديلات التحسينية على منتجاتها الموجودة في الأسواق