

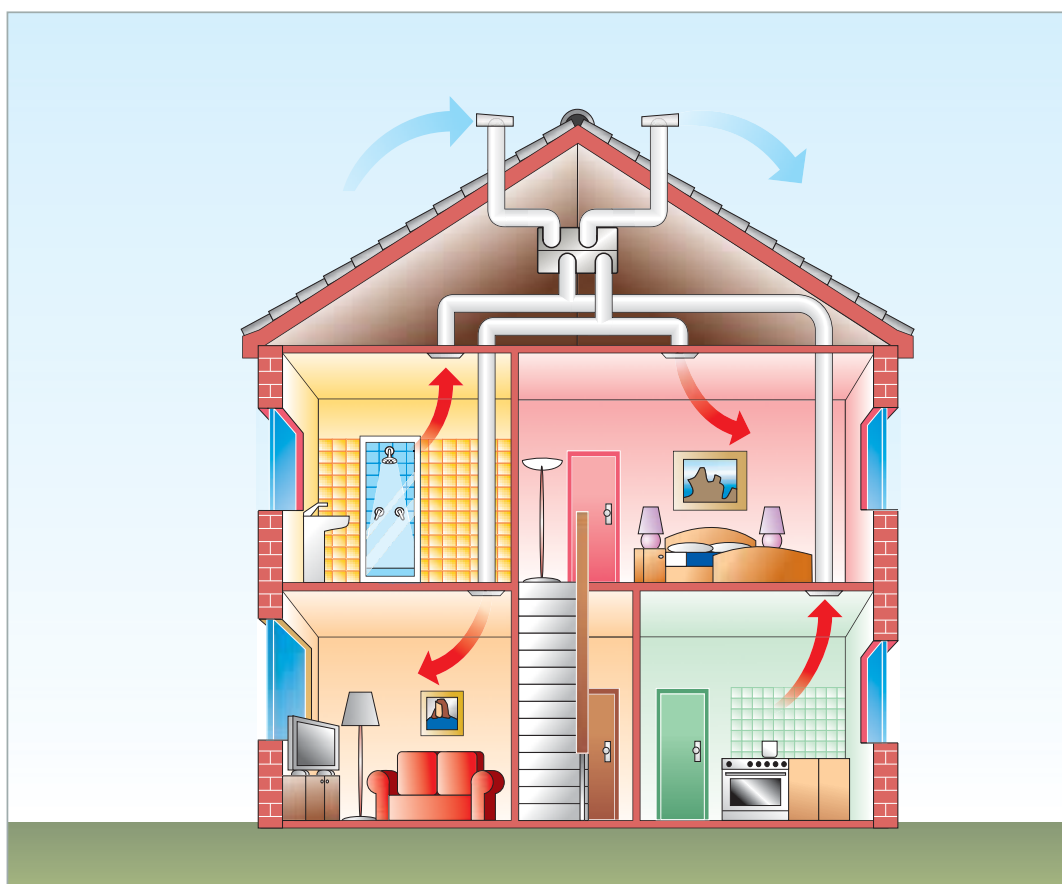
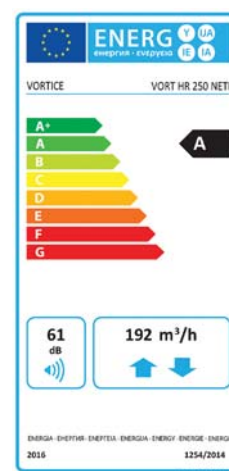
VORT HR250 NETI HEAT RECOVERY UNIT

SAP APPENDIX Q ELIGIBLE

THE FEATURES OF THE VORT HR250 NETI

- EST Best Practice – SAP Appendix Q
- Fresh air is 100% fully filtered even in bypass mode which helps to maintain good indoor air quality within the home
- Quiet operation as low as 16.1dB (A)*
- Lightweight construction
- Removable hinged door for easy maintenance
- EC brushless motors
- Frost protection
- Complete with M5 and G4 Filters
- Wired electronic controller with LCD panel which displays unit status
- IPX2 Rated

* This reading was taken in free field conditions at a distance of 3 metres





VORT HR250 NETI – APPENDIX Q LISTED

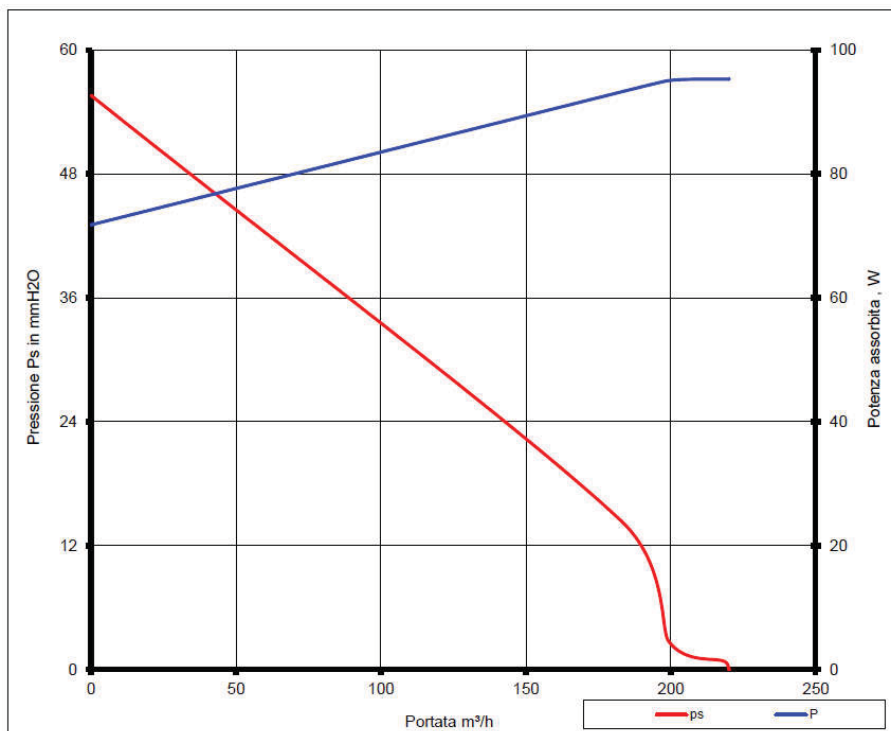
The Standard Assessment Procedure (SAP) – Appendix Q data is the test results published by the independent test house, BRE UK for all Mechanical Ventilation Heat Recovery units. This data is used by your Energy Assessor in conjunction with DEAP software to improve the energy rating of your dwelling in relation to BER Certification. The BER certification is mandatory for all dwellings new or existing since January 1st 2009.

Results for SAP calculations (at minimum flow rate condition)

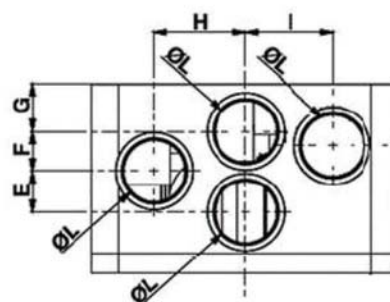
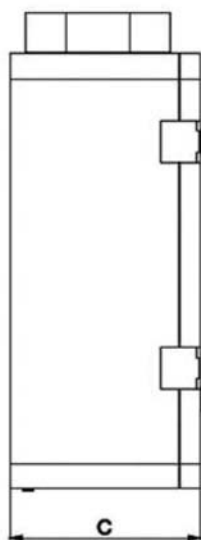
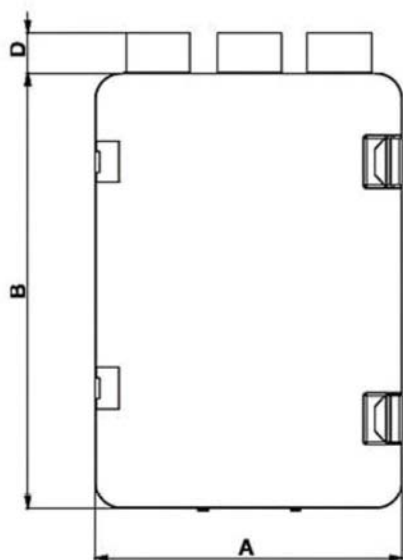
This product has only been tested with rigid ductwork and the data are not applicable for SAP calculations if installed with flexible ductwork.

Table Q2 – Systems with rigid ductwork only

Exhaust terminal configuration	Fan speed setting	Specific fan power (W/l/s)	Heat exchange efficiency (%)	Energy Saving Trust Best Practice Performance Compliant
"Kitchen + 1 additional wet room"	"100% variable"	0.58	88%	Yes
"Kitchen + 2 additional wet rooms"	"100% variable"	0.58	88%	Yes
"Kitchen + 3 additional wet rooms"	"100% variable"	0.66	86%	Yes
"Kitchen + 4 additional wet rooms"	"100% variable"	0.80	84%	Yes
"Kitchen + 5 additional wet rooms"	"100% variable"	0.93	84%	Yes
"Kitchen + 6 additional wet rooms"	"100% variable"	1.11	83%	Yes



VORT HR250 NETI IMAGES AND DIMENSIONS



Models	Code	A	B	C	D	E	F	G	Ø L
Vort HR250 Neti	11933	598	850	370	80	80	77	93	125