

Ceiling Sweep Fans



NORDIK INTERNATIONAL PLUS RANGE

Simple modern design that is suitable for any type of room or application. The model 160/60" is especially suitable for heat recirculation in industrial and commercial applications.

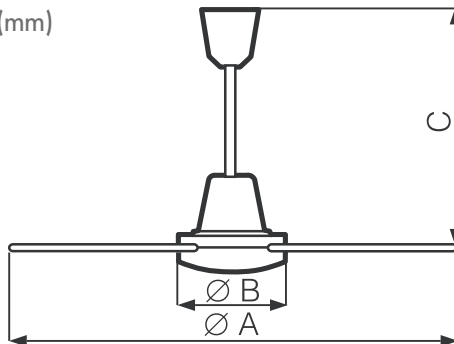


Ceiling Sweep Fans.

TECHNICAL SPECIFICATIONS

- Available in 3 blade sizes 36", 48" and 60"
- Induction motor with external rotor for greater power at slow speed.
- Designed for quiet performance
- Complies with CEI EN60335-2-80 standard
- Metal parts painted with scratchproof polyester powder.
- Supplied with 37.5cm ceiling rod as standard
- Other length ceiling rods available (non stock items)
- 5-position speed controllers available for single fan or up to 6 fans

Dimensions (mm)



NORDICK INTERNATIONAL PLUS	Ø A	Ø B	Ø C	KG
90/36"	914	230	495	5.5
120/48"	1218	230	495	5.9
160/60"	1524	230	495	6.7

CEILING SWEEP FANS

CODE	CEILING SWEEP FANS	BOX QTY
61701	36" WHITE SWEEP FAN	1
61711	48" WHITE SWEEP FAN	1
61731	60" WHITE SWEEP FAN	1

CONTROLLERS

CODE	CONTROLLERS FOR SWEEP FANS	BOX QTY
12955	SPEED CONTROLLER FOR SWEEP FANS	6
12967	SPEED CONTROLLER FOR UP TO 6 FANS	6